

CUSB-V605H

UHD+ HDMI to USB Video Capture with PIP



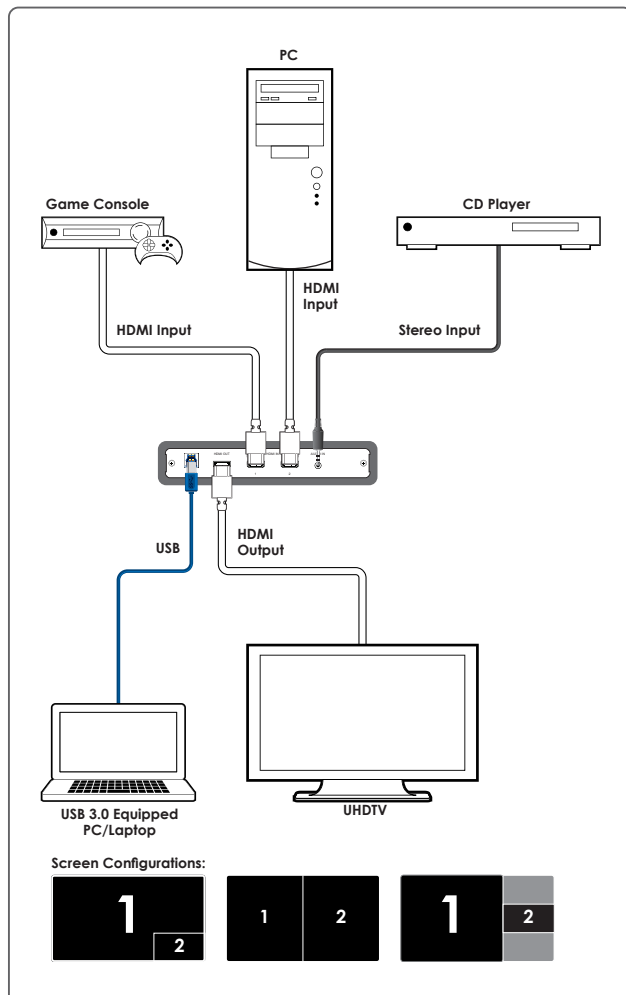
This HDMI to USB video capture recorder with HDMI bypass can support resolutions up to 18Gbps (600MHz) 4K UHD with HDR (via the bypass path) while simultaneously streaming the audio and video signal at 1080p to a USB connected PC for capture or re-broadcast. Also with add up input special video timing stabilization feature helps to ensure that the USB capture stream won't lock up or drop, even if the HDMI input source is intermittent or disconnected. This makes your live streaming stable and non-stop.

USB capture is accomplished using the UAC (USB Audio Class) and UVC (USB Video Class) standards, allowing the unit to support most common video capture, chat, or streaming software, including Free OBS (Open Broadcaster Software) streaming software which is available for Windows PC, macOS and Linux. The unit is powered directly by the USB 3.0 port so an external power supply is not required (A Y-cable is required when connected via USB 2.0 in order to deliver the necessary power). Availability and access to the controllable features of the unit depend on the capture software used.

PANELS



DIAGRAM



FEATURES

- 2 inputs(input 1 resolution up to 4K@60, input 2 up to 1080p@60), 1 bypass output (Follow source up to 4K@60)
- USB3.0 (Type-B to Type-A) connected to PC for data transmission.
- 3.5mm phone jack as Input of speaker.
- Mode select button is designed for changing the layout of video sources, which allow user to define on tool.
- Audio auto switch for priorities audio insertion or default priority.
- Audio Mixer for provide flexible audio feature for mixing analog mic in with HDMI input audio.
- PC software available for detail control and setting.

SPECIFICATIONS

Interfaces

Input Port 2 HDMI (Type A)
1 Analog(3.5mm)

Output Port 1 HDMI (Type A)
1 USB 3.0(Type B)

Bi-directional Port

Control I/O

Video

HDMI Compliance HDMI 2.0 (DVI 1.0)

HDCP Compliance 2.2 bypass

Input Signal Type 4K@60 8bit YUV 4:4:4

Output Signal Type 4K@60 8bit YUV 4:4:4(HDMI)
1080p@60(USB capture)

Resolutions

Maximum Input HDMI 4096×2160p@60 YUV 4:4:4

Maximum Output HDMI 4096×2160p@60 YUV 4:4:4

Audio

HDMI LPCM (8 Channels), Bitstream, High Bit Rate Bitstream

Line In 1 Vrms
S/N Ratio: > 80dB (1kHz with 0dBFS)

Power

Power Supply USB powered

Power Consumption TBD

Enclosure

Chassis Material Metal (Steel)

Chassis Color Black

Dimensions (W×H×D) 180mm×25mm×108mm [Case Only]
180mm×25mm×111.6mm [All Inclusive]

Weight 916g

Field Firmware Update

PC

ORDERING INFORMATION

Model No. Product Description

CUSB-V605H UHD+ HDMI to USB Video Capture with PIP