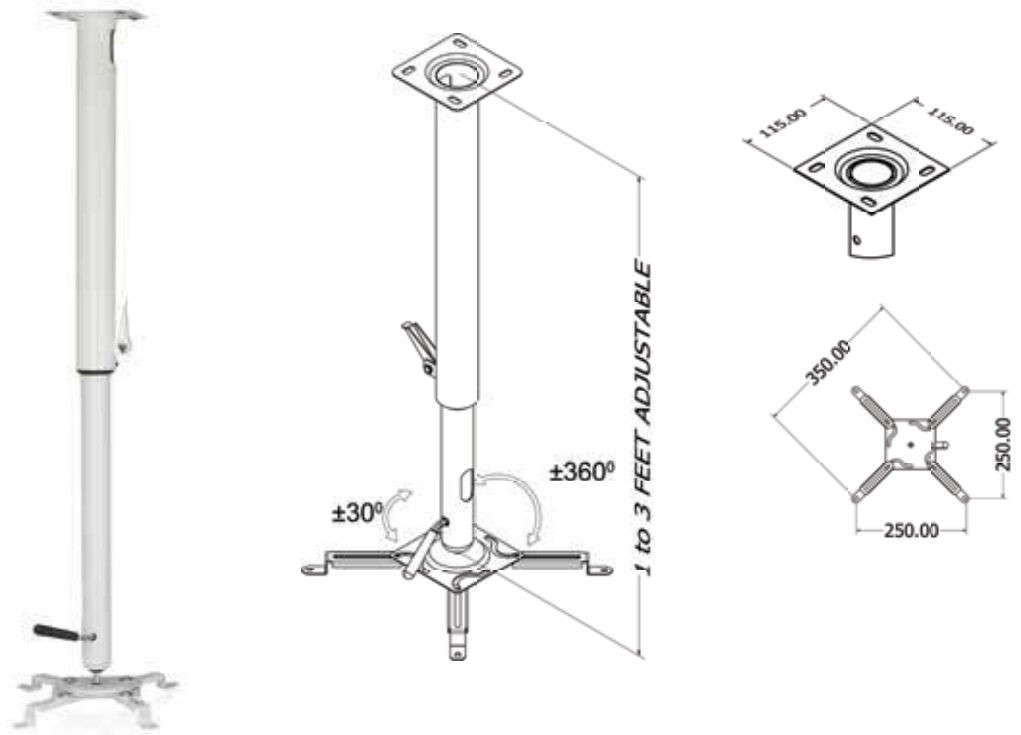


PROJECTOR MOUNTS

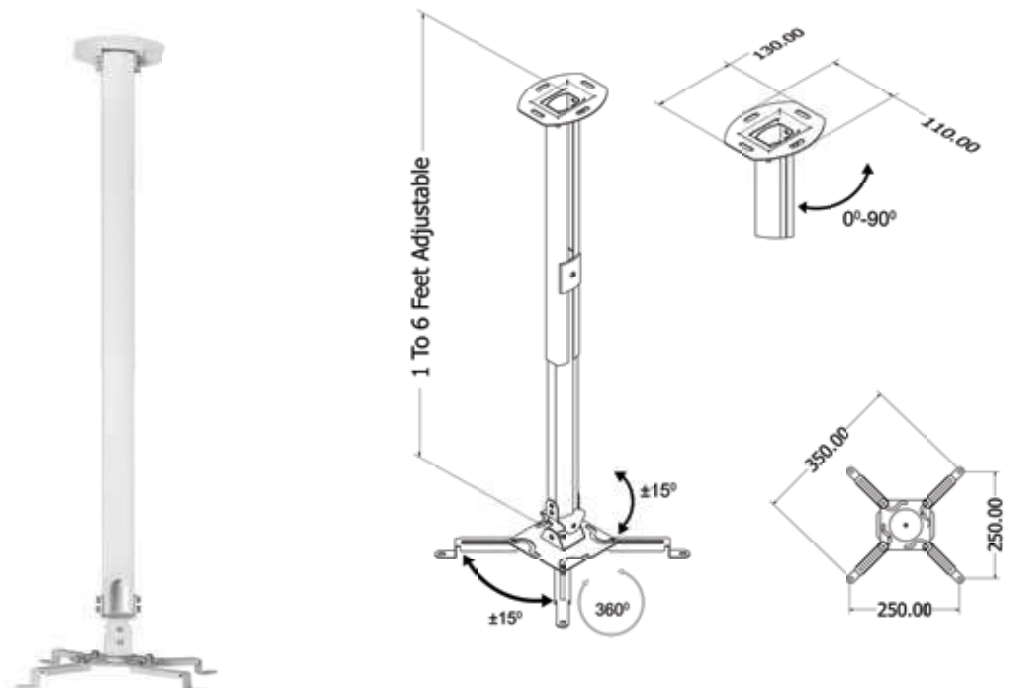


Classic Series



Model	Description	Material	Max. Load	Clamp Length	Product Weight	Shipping Weight	Shipping Dimension (LxWxH)
LG-CCM-2F	Classic Ceiling Mount Kit 1/2 ft.	Steel	10 kg	110 mm	1.1 kg	2 kg	430 x 140 x 130 mm

Professional Series

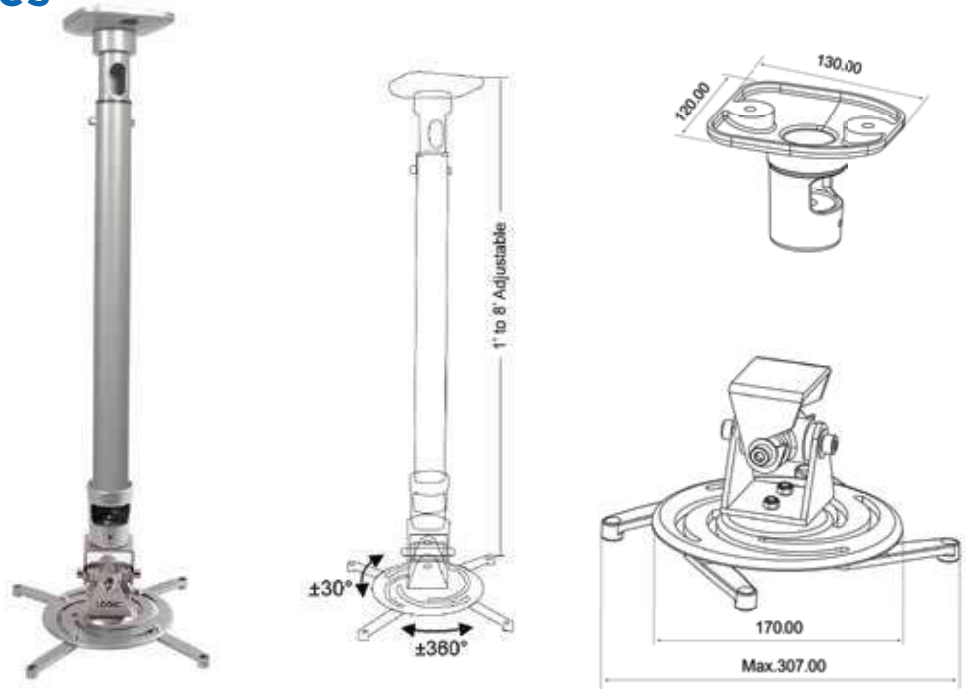


*Note: Wall Mount Accessible

Model	Description	Material	Max. Load	Clamp Length	Product Weight	Shipping Weight	Shipping Dimension (L x W x H)
LG-PCM-2F	Professional Ceiling Mount Kit 1/2 ft.	Aluminium	12 kg	115 mm	1 kg	2 kg	370 x 160 x 90 mm
LG-PCM-3F	Professional Ceiling Mount Kit 1.5/3 ft.	Aluminium	12 kg	115 mm	1.2 kg	2 kg	510 x 150 x 100 mm
LG-PCM-4F	Professional Ceiling Mount Kit 2/4 ft.	Aluminium	12 kg	115 mm	1.3 kg	2 kg	660 x 160 x 90 mm
LG-PCM-6F	Professional Ceiling Mount Kit 3/6 ft.	Aluminium	12 kg	115 mm	2 kg	3 kg	980 x 160 x 100 mm

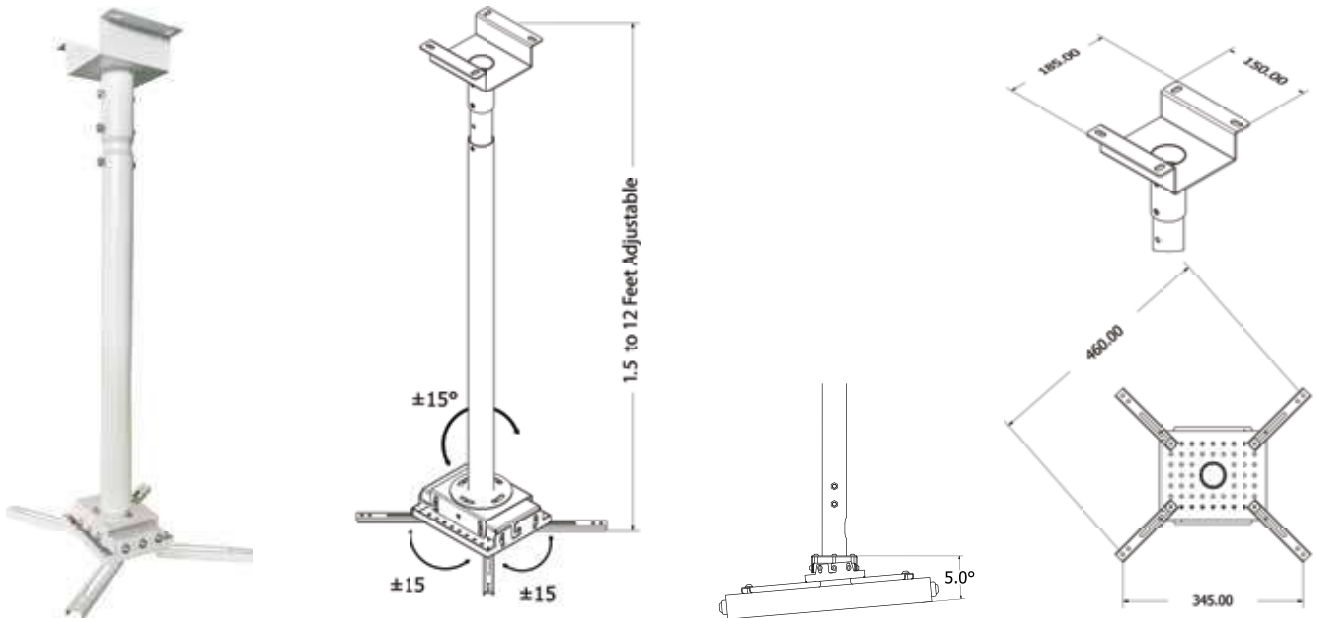
*Dimensions in mm

Executive Series



Model	Description	Material	Max. Load	Clamp Length	Product Weight	Shipping Weight	Shipping Dimension (L x W x H)
LG-EXCM-1F	Executive Ceiling Mount Kit of 1 ft.	Aluminium	10 Kg	92 mm	1.3 kg	1.6 kg	230 x 195 x 120 mm
LG-EXCM-2F	Executive Ceiling Mount Kit + Exp Rod 1/2 ft.	Aluminium & Steel	10 kg	92 mm	0.6 kg	0.8 kg	420 x 65 x 65 mm
LG-EXCM-3F	Executive Ceiling Mount Kit + Exp Rod 1.5/3 ft.	Aluminium & Steel	10 kg	92 mm	0.9 kg	1.1 kg	520 x 65 x 65 mm
LG-EXCM-4F	Executive Ceiling Mount Kit + Exp Rod 2/4 ft.	Aluminium & Steel	10 kg	92 mm	1 kg	1.4 kg	620 x 60 x 70 mm

Heavy Duty Series



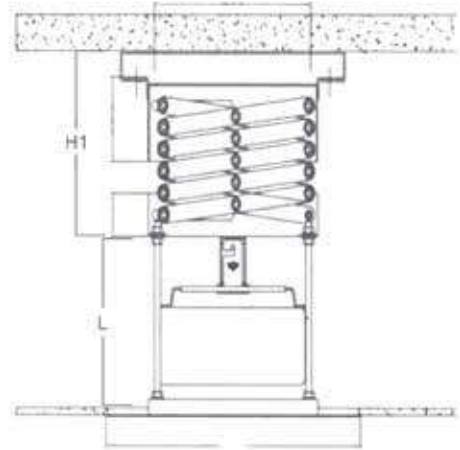
Model	Description	Material	Max Load	Clamp Length	Product Weight	Shipping Weight	Shipping Dimension (L x W x H)
LG-HDCM-3F-N19	Heavy Duty Ceiling Mount Kit + Exp Rod 1.5/3 ft.	Steel	50 kg	150 mm	4.5 kg	5.5 kg	215 x 710 x 185 mm
LG-HDCM-4F-N19	Heavy Duty Ceiling Mount Kit + Exp Rod 2/4 ft.	Steel	50 kg	150 mm	5.0 kg	6.5 kg	215 x 860 x 185 mm
LG-HDCM-6F-N19	Heavy Duty Ceiling Mount Kit + Exp Rod 3/6 ft.	Steel	50 kg	150 mm	5.5 kg	7.5 kg	215 x 1160 x 185 mm
LG-HDCM-8F-N19	Heavy Duty Ceiling Mount Kit + Exp Rod 4/8 ft.	Steel	50 kg	150 mm	7.0 kg	9.5 kg	215 x 1460 x 185 mm
LG-HDCM-12F-N19	Heavy Duty Ceiling Mount Kit + Exp Rod 6/12 ft.	Steel	50 kg	150 mm	8.5 kg	10.5 kg	215 x 2060 x 185 mm

*Dimensions in mm

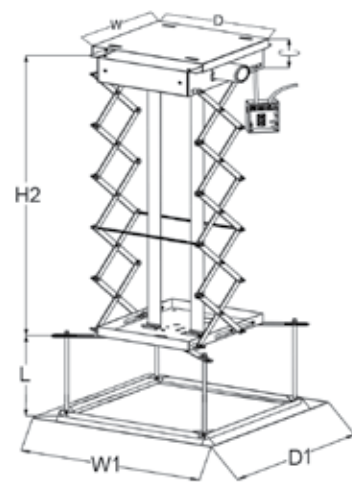
PROJECTOR LIFTS



Projector Motorized Mounts (Steel)



Lift Closed View



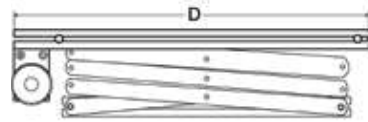
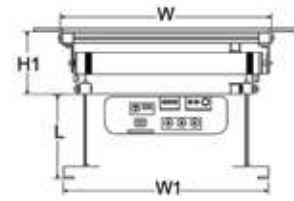
Lift Opened View

Technical Specification	LG-SPM100	LG- SPM150	LG- SPM200	LG- SPM250
Motor	Tubular Motor	Tubular Motor	Tubular Motor	Tubular Motor
Power Supply	220-230 V 50 Hz	220-230 V 50 Hz	220-230 V 50 Hz	220-230 V 50 Hz
Width (W)	320	320	320	320
Depth (D)	320	320	320	320
Bottom Plate Width (W1)	490	490	490	490
Bottom Plate Depth (D1)	490	490	490	490
Lift Size Closed (H1)	210 mm	260 mm	310 mm	420 mm
Lift Size Opened (H2)	1000 mm	1500 mm	2000 mm	2500 mm
Connecting Piece (L)	290 mm	290 mm	290 mm	290 mm
Lift Size Opened Including Fixing (H2+L)	1290 mm	1790 mm	2290 mm	2790 mm
Suggested Projector Size (W x H x D)	<350 x 200 x 350 mm	<350 x 200 x 350 mm	<350 x 200 x 350 mm	<350 x 200 x 350 mm
Control System	RF	RF	RF	RF

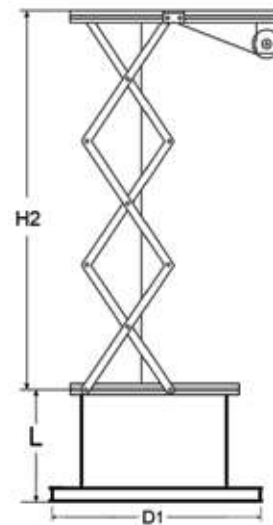
Model	Description	Ceiling depth	Max, Load	Product Weight	Shipping Weight	Shipping Dimension (L x W x H)
LG-SPM100	Steel Motorized Projector Lift 100 cm	Min. 500 mm	15 kg	18.5 kg	20.0 kg	530 x 530 x 310 mm
LG-SPM150	Steel Motorized Projector Lift 150 cm	Min. 600 mm	15 kg	20.0 kg	23.0 kg	530 x 530 x 350 mm
LG-SPM200	Steel Motorized Projector Lift 200 cm	Min. 800 mm	15 kg	21.0 kg	23.0 kg	530 x 530 x 350 mm
LG-SPM250	Steel Motorized Projector Lift 250 cm	Min. 1000 mm	15 kg	26.0 kg	28.0 kg	560 x 530 x 530 mm

*Dimensions in mm

Projector Motorized Mounts (Aluminium)



Lift Closed View



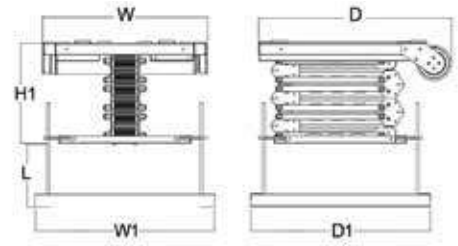
Lift Opened View

Technical Specification	LG-APM100	LG-APM150	LG-APM200	LG-APM300
Motor	Tubular Motor	Tubular Motor	Tubular Motor	Tubular Motor
Power Supply	220-230 V 50 Hz	220-230 V 50 Hz	220-230 V 50 Hz	220-230 V 50 Hz
Width (W)	576	576	576	576
Depth (D)	550	550	550	550
Bottom Plate Width (W1)	490	490	490	490
Bottom Plate Depth (D1)	490	490	490	490
Lift Size Closed (H1)	160 mm	205 mm	235 mm	305 mm
Lift Size Opened (H2)	960 mm	1460 mm	1960 mm	2960 mm
Connecting Piece (L)	284 mm	284 mm	284 mm	284 mm
Lift Size Opened Including Fixing (H2+L)	1244 mm	1744 mm	2244 mm	3244 mm
Suggested Projector Size (W x H x D)	<400 x 190 x 400 mm	<400 x 190 x 400 mm	<400 x 190 x 400 mm	<400 x 190 x 400 mm
Control System	RF	RF	RF	RF

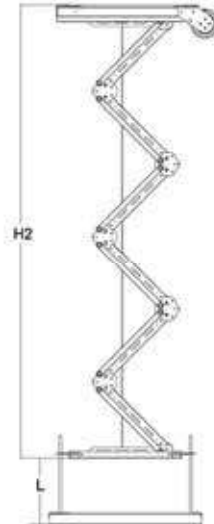
Model	Description	Ceiling depth	Max Load	Product Weight	Shipping Weight	Shipping Dimension (L x W x H)
LG-APM100	Aluminium Motorized Projector Lift 100 cm	Min. 500 mm	15 kg	16.0 kg	18.0 kg	700 x 680 x 200 mm
LG-APM150	Aluminium Motorized Projector Lift 150 cm	Min. 600 mm	15 kg	17.0 kg	19.0 kg	700 x 680 x 200 mm
LG-APM200	Aluminium Motorized Projector Lift 200 cm	Min. 800 mm	15 kg	18.0 kg	20.0 kg	700 x 680 x 200 mm
LG-APM300	Aluminium Motorized Projector Lift 300 cm	Min. 1000 mm	15 kg	21.0 kg	23.0 kg	700 x 690 x 340 mm

*Dimensions in mm

Projector Motorized Mounts (Aluminium) - Single Arm



Lift Closed View



Lift Opened View

Technical Specification	LG-EPM100	LG-EPM150
Motor	Tubular Motor	Tubular Motor
Power Supply	220-230 V 50 Hz	220-230 V 50 Hz
Width (W)	453	453
Depth (D)	528	528
Bottom Plate Width (W1)	490	490
Bottom Plate Depth (D1)	490	490
Lift Size Closed (H1)	210 mm	281 mm
Lift Size Opened (H2)	990 mm	1478 mm
Connecting Piece (L)	229 mm	229 mm
Lift Size Opened Including Fixing (H2+L)	1219 mm	1707 mm
Suggested Projector Size (W x H x D)	<480 x 250 x 410 mm	<480 x 250 x 410 mm
Control System	RF/RS232/RS485	RF/RS232/RS485

Model	Description	Ceiling depth	Max Load	Product Weight	Shipping Weight	Shipping Dimension (L x W x H)
LG-EPM100	Executive Motorized Projector Lift 100 cm	Min. 450 mm	40 kg	21 kg	23 kg	570 x 580 x 330 mm
LG-EPM150	Executive Motorized Projector Lift 150 cm	Min. 510 mm	40 kg	23 kg	26 kg	570 x 580 x 400 mm

*Dimensions in mm